



EXPLOSION PROOF INTERCOM STATION

- **Stainless steel hardware**
- **Super-bright LED indicator**
- **Tactile keypad**
- **Speed dial / auto conference**
- **Headset, gooseneck and handset options**
- **Output to powered loudspeaker**
- **Hinged front cover**
- **Designed for Type 4X**

ECHO E1 SERIES

Explosion Proof Digital Intercom Stations

Federal Signal Model E1 ECHO Intercom Stations provide safe and efficient two-way voice communications in large and small ECHO Digital Intercom Systems. The E1 ECHO Station is designed and approved for use in Hazardous Areas including Class I, Division 1, Groups C and D; Class II, Division 1, Groups E, F and G; and Class III.

The E1 ECHO station provides instantaneous high-speed connections and clear, crisp digital voice quality. Each station offers single-button all call, priority emergency paging, group paging, speed dial, conference call, and relay output.

Any station can call any other station(s) in an ECHO Digital Intercom System. With the headset or gooseneck microphone options, each is capable of hands-free voice communication. Because the ECHO Digital Central Exchange provides 30 channels of simultaneous communication, calls are processed and connected immediately without dial tone or delay.

The E1 Station keypad is designed to provide tactile and audible feedback (via external powered speaker) for positive activation. Each station may be programmed for four levels of privacy for receiving calls; non-private, semi-private, full privacy and do-not-disturb. Volume for voice and signal levels are easily adjusted on the keypad.

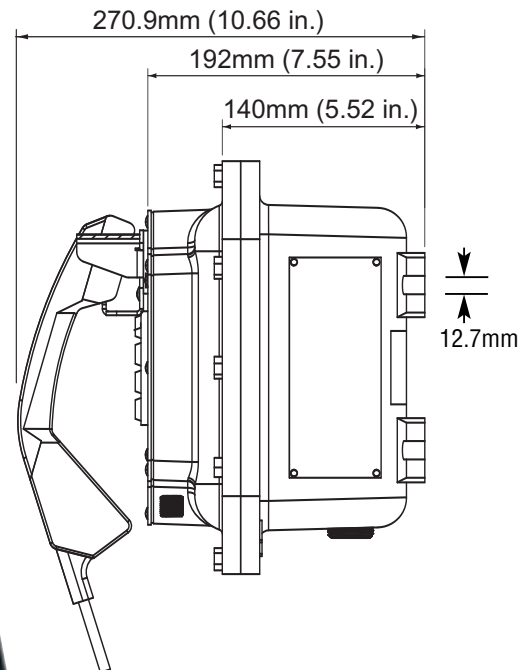
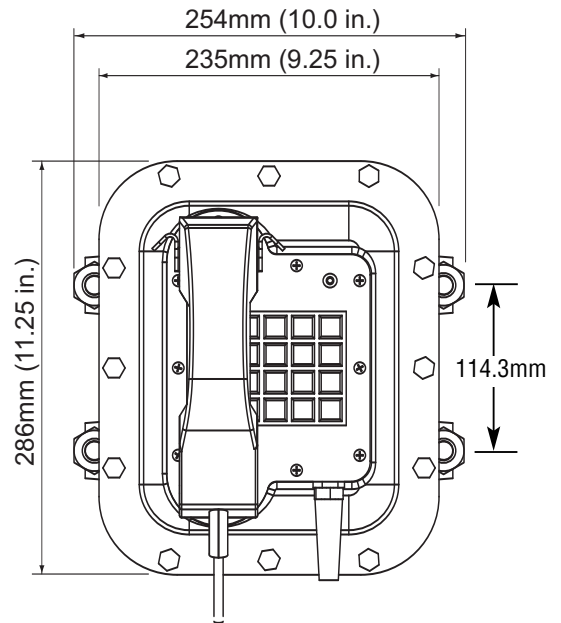
Each E1 Station is constructed with a heavy duty, corrosion-resistant cast aluminum and a powder coated aluminum faceplate, equipped with weather-proof keypads, and is rated for use in Type 4X dust- and water-tight applications.

 E C H O



SPECIFICATIONS

Operating Voltage:	24VDC nominal (line driven from ECHO control)
Current Idle:	25mA
Current Connected:	100mA max.
Handset Microphone Type:	Dynamic
Handset Material:	Moulded Polycarbonate/ABS Blend
Handset Cord:	Stainless Steel
Stubby Microphone Type:	Dynamic
Stubby Mic Sensitivity:	-54dB
Stubby Mic Enclosure:	Stainless Steel
Audio Output:	2.7VRMS / 1k ohm load
Volume Control via Keypad:	30dB in ten steps
Line Attenuation:	24dB@160kb/s Max
Loop Resistance:	170 Ohm Max
Distance:	2.0 kms (1.2 miles) Max
Cable:	One twisted pair, non-shielded
Cable Entries:	3 x 3/4" NPT
Operating Temperature Range:	-40°C to +65°C
Termination:	Din rail mount tensioned clamp terminals
Relay Switching Capacity:	3A at 240VAC
Net Weight:	11.4 kg (25 lbs)
Shipping Weight:	13.6 kg (30 lbs)
Shipping Dimensions:	524mm x 359mm x 346mm (20.63" x 14.13" x 13.63")



MODELS AVAILABLE

E1-HND	Station with Handset
E1-HDS	Station with Headset
E1-HND-4X	E1-HND in 4X enclosure
E1-SM-4X	E2-SM in 4X enclosure
E1-HDS-4X	E2-HDS in 4X enclosure
E1-SM	Stubby Microphone, 65mm
E1-GM1	Gooseneck Microphone, 260mm
E1-GM2	Gooseneck Microphone, 440mm
E1-GM3	Gooseneck Microphone, 590mm



E1-SM



E1-HDS

UK - Federal Signal Corporation, Integrated Systems
 Hulley Road, Macclesfield, Cheshire SK10 2NF, UK
tel: +44 (0)1625 66 66 00 **fax:** +44 (0) 1625 611 352
web: www.fs-isys.com **email:** systems@fedsig.co.uk

USA - Federal Signal Corporation, Integrated Systems
 2645 Federal Signal Drive, University Park, IL 60466, USA
tel: +1 708-534-4723 **fax:** +1 708-534-4887
web: www.fs-isys.com **email:** systems@fedsig.com