



HAZARDOUS LOCATION GRP STROBE LIGHT Model WV450X

Hazardous Area Warning Light



WV450XD WV450XE

GLASS REINFORCED POLYESTER DESIGN FOR LOW MAINTENANCE AND CORROSION RESISTANCE

- Available in 5, 10 and 15 Joule Units
- Seven available lens colours: red, amber, yellow, blue, green, clear and magenta
- Stainless steel mounting bracket included
- 24-48VDC, 110VAC, 220-248VAC (+/- 15%)
- IP66
- Corrosion free GRP (Glass Reinforced Polyester)
- Included dome guard
- M20 entries standard
- EExd IIB+H₂ T4, EExde+H₂ IIB T4
- Strobe tube life of 10,000 hours
- Body colour natural black as standard - other colours available

The Federal Signal model WV450X is ideally suited for explosive atmospheres and harsh environments. It has been designed to serve the demanding needs of offshore marine and land based industrial applications. The housing is made of corrosion free components, which dramatically reduces the cost of long-term maintenance.

The WV450X utilizes all of the latest techniques in non-metallic housing construction. The body of the product is comprised of Glass Reinforced Polyester (GRP) and 316 stainless steel hardware. The use of GRP in the design allows for benefits including corrosion resistance and reduced weight as compared to traditional metal housings. The GRP construction also saves time and money over the life of the product by reducing, or in most cases, completely eliminating the need to do regular field inspections of the flame path.

The WV series comes standard with metric entries, a 316 stainless steel dome guard and a 10,000 hour rated strobe tube. There are two versions of the WV450X available with three Joule options each (5J, 10J, 15J). The flameproof "d" versions come standard with a 316 stainless steel mounting brackets and two M20 entries for field cable gland connection. The Increased Safety "e" versions have the added feature of a terminal chamber with three M20 entries. The increased safety design allows for quick field termination and pass through wiring.

The toughened glass domes are available in seven colours and three voltage ranges. Custom designed retrofit plates are available, which allows for cost effective field replacement of existing beacons. Special body colours, cable tails, and product identification labels (tagging) are also offered.



SPECIFICATIONS

	Effective Candela Peak	Average Effective Candela on HV	Peak Intensity Candela	Actual Output Joules
5 Joules	58	42	123,700	5
10 Joules	174	110	195,000	10.75
15 Joules	312	195	298,000	16.3

Glass Colour Transmission

Red	Amber	Yellow	Blue	Green
<.81	<.48	<.85	<.12	<.52

Terminals: EExd: (DC) 4 way block (2 in, 2 out)
(AC) 6 way block (3 in, 3 out)
EExde: 3 position dual pole terminal block

Cable Entries: EExd: 2 entries - M20 x 1.5
EExde: 3 entries - M20 x 1.5

Operating Temperatures:
"d" version without terminal chamber
ATEX -55°C to 55°C (-67°F to 131°F)
IECEX -20°C to 55°C (-4°F to 131°F)

"e" version with terminal chamber
ATEX -20°C to 55°C (-22°F to 131°F)
IECEX -20°C to 55°C (-4°F to 131°F)

Mounting: Via 316 stainless steel bracket

Exterior Dome: Toughened glass

Guard: 316 Stainless steel

External Fasteners: 316 Stainless steel

Net/Shipping Weight:
WV450XD
Net 3.23 Kg (7.1 lbs.)
Shipping 3.88 Kg (8.6 lbs.)

WV450XE
Net 3.9 Kg (8.6 lbs.)
Shipping 4.54 Kg (10 lbs.)

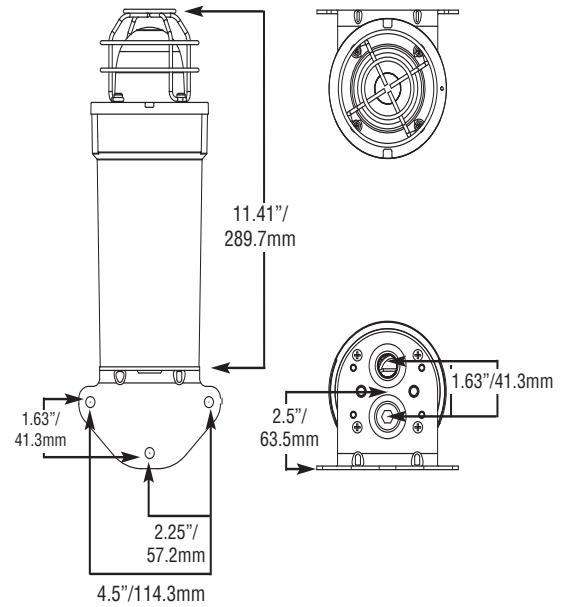
Shipping Dimensions:
19 x 22 x 47 cm (7.5 x 9 x 18.5 in.)

Certificate Number:
IEC ULQAR 05.05NK28041
ATEX 06ATEX0425693X

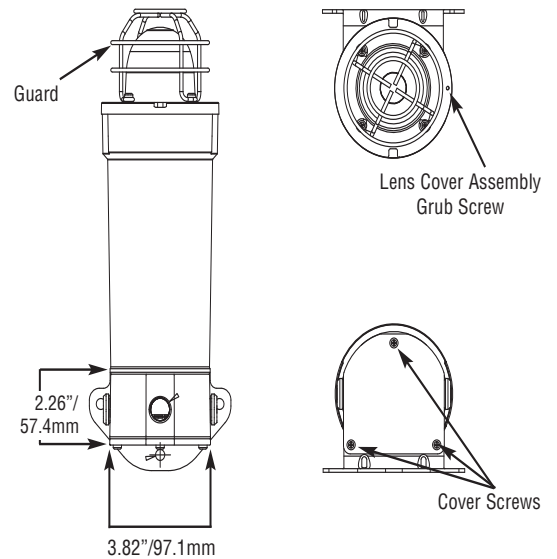
Certification Marking: EExd IIB+H₂ T4 or EExde IIB+H₂ T4

Ingress Protection: IP66

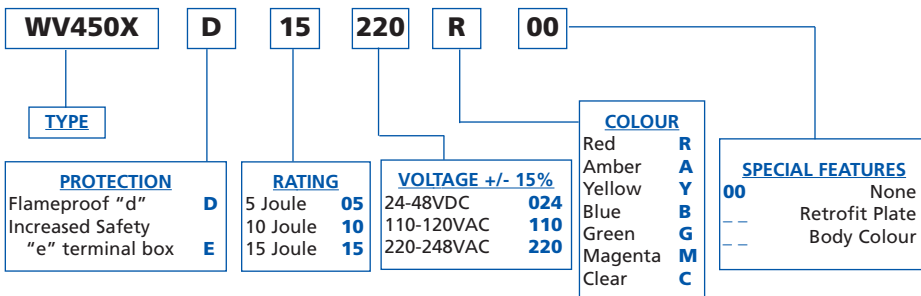
450XD



450XE



ORDERING CHART



UK - Federal Signal Corporation, Integrated Systems
Hulley Road, Macclesfield, Cheshire SK10 2NF, UK
tel: +44 (0)1625 66 66 00 fax: +44 (0) 1625 611 352
web: www.fs-isys.com email: systems@fedsig.co.uk

USA - Federal Signal Corporation, Integrated Systems
2645 Federal Signal Drive, University Park, IL 60466, USA
tel: +1 708-534-4723 fax: +1 708-534-4887
web: www.fs-isys.com email: systems@fedsig.com