



Intrinsically Safe LED Visual Status Indicator

Model WV-L-IS



FEATURES:

- *Input overload and reverse current protection*
- *Fresnel lens optimizes LED effectiveness*

Model WV-L-IS is a compact status indicator with an array of six high output LED's. Approvals include ATEX, IECEx and GOST-R for Zone 0 applications and FM approval for Class I Division 1 and Class I Zone 0 applications.

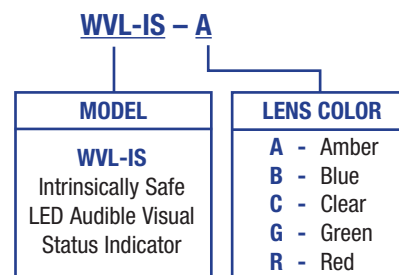
The WV-L-IS is suitable for all intrinsically safe signalling applications including fire, security and process control.

APPROVALS:

- ATEX certificate: Sira10ATEX2102X
EN 60079-0 : 2006 EN 60079-11 : 2007
EN 60079-26 : 2007
- IECEx certificate: IECEx SIR 10.0046X
IEC 60079-0 : 2007 IEC 60079-11 : 2006
IEC 60079-26 : 2006
- FM approved
Class 3600 1998 Class 3610 1999
Class 3810 2005

Model	Voltage	Voltage Range	Operating Current
WV-L-IS	24VDC	16-28VDC	25mA

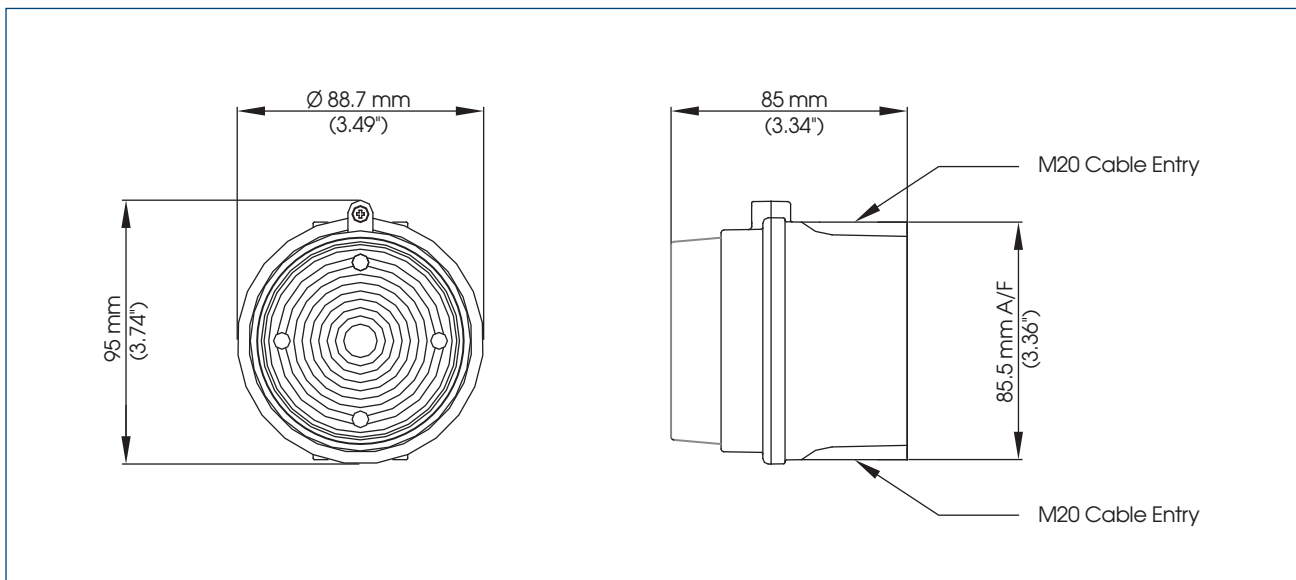
HOW TO ORDER



tél. : UK +44-(0)1625-666600 • USA +1-877-289-3246
www.fs-isys.com

FEDERAL SIGNAL
Safety and Security Systems / Industrial
Advancing security and well being.

INTRINSICALLY SAFE LED VISUAL STATUS INDICATOR (WVL-IS)



SPECIFICATIONS

ATEX / IECEx / FM:	II 1G Ex ia IIC T4 Ga (-40°C ≤ Ta ≤ +60°C) IS Class I, Zone 0, AEx ia IIC T4 IS Class I, Division 1, Groups A, B, C, D	
Light source:	Array of 6 high intensity LEDs	
LED colors:	Amber, Blue, Clear, Green & Red	
Flash modes:	Double flash at 2Hz and 1Hz	
Voltage:	16-28VDC via Zener barrier or galvanic isolator	
Current:	25mA typical when powered from 24V supply via 28V 300 Ohm Zener barrier	
Ingress protection:	IP65	
Rating:	Continuous	
Housing material:	UL94V0 & 5VA FR ABS & PC	
Housing color:	RAL3000 Red	
Fixings:	Stainless Steel	
Cable entries:	2 x M20 clearance gland knockouts. Custom configurations also available.	
Terminals:	0.001 to 0.098"	0.5 to 2.5mm ²
Operating temp:	-104°F to +140°F	-40°C to +60°C
Storage temp:	-104°F to +158°F	-40°C to +70°C
Relative humidity:	90% at 68°F	90% at 20°C
Product weight:	0.20Kg	
Shipping weight:	0.35Kg	



Also available as a combined alarm sounder and LED beacon the WAV-IS unit.

May be powered from any certified Zener barrier or galvanic isolator whose output parameters do not exceed:

U_o: 28VDC
I_o: 660mA
P_o: 1.2W

#259367A Rev A

UK - Federal Signal Corporation, Integrated Systems
Hulley Road, Macclesfield, Cheshire SK10 2NF, UK
tél: +44 (0)1625 66 66 00 **fax:** +44 (0) 1625 611 352
web: www.fs-isys.com **email:** systems@fedsig.co.uk

USA - Federal Signal Corporation, Integrated Systems
2645 Federal Signal Drive, University Park, IL 60484, USA
tel: +1 708-534-4723 **fax:** +1 708-534-4887
web: www.fs-isys.com **email:** systems@fedsig.com