



ATEX IEC

2000 Series Beacons

Explosion-Proof Strobe and Static Warning Lights



STROBE WARNING LIGHT XE

- Single and four tube models
- Internal fresnel lens
- Available in five colours and clear
- Ex 'e' terminal chamber available
- AC and DC voltage ranges
- Approved for use in Zone 1, 2, 21, 22 Atmospheres



STATIC WARNING LIGHT FL

- Twin lamps for security
- Individual lamp control gear
- 8,000 hour lamp life
- Available in five colours and clear
- Ex 'e' terminal chamber available
- AC and DC voltage ranges
- Approved for use in Zone 1, 2, 21, 22 Atmospheres



LED WARNING LIGHT

- Super bright output w/XLT™ Technology
- 3 remotely selectable flash patterns
- 50,000 hour lamp life
- Available in five colours
- Ex 'e' terminal chamber available
- AC and DC voltage ranges
- Approved for use in Zone 1, 2, 21, 22 Atmospheres

Lamp			
Single lamp on XE1 Four lamps on XE4 (two fire together)			
XE1 MODEL	Current Max.	Current Average	Equiv. Watt
Power supply			
240VAC	0.38A	0.10A	22.8W
110VAC	0.48A	0.19A	20.2W
110VDC	0.61A	0.17A	19.1W
48VDC	0.81A	0.39A	18.5W
24VDC	0.93A	0.76A	18.2W
XE4 MODEL			
240VAC	0.41A	0.15A	35.4W
110VAC	0.53A	0.29A	31.7W
110VDC	0.92A	0.41A	44.7W
48VDC	1.22A	1.06A	50.9W
24VDC	1.90A	1.86A	44.6W
Flash Rate	Nominal 80 per minute		

Lamp			
FL18 - Two compact fluorescent 9W lamps FL36 - Four compact fluorescent 9W lamps			
MODEL	Current Max.	Current Average	Equiv. Watt
Power supply			
FL18 MODEL			
240VAC	0.18A	0.13A	17.5W
110VAC	0.27A	0.26A	16.0W
110VDC	0.14A	0.13A	14.5W
48VDC	0.42A	0.40A	19.2W
24VDC	0.87A	0.87A	20.9W
FL36 MODEL			
240VAC	0.18A	0.17A	40.2W
Lamp Output	1000 Lumens		

Lamp			
High Output LED Array			
LED MODEL	Max. In-Rush Current	Current Average	Equiv. Watt
Power supply			
240VAC	2.00A	0.13A	31.2W
110VAC	2.00A	0.22A	24.2W
24VDC	1.75A	0.50A	12.0W
Light Output			
Amber	113Cd		
Blue	12Cd		
Green	66Cd		
Red	63Cd		
Yellow	60Cd		

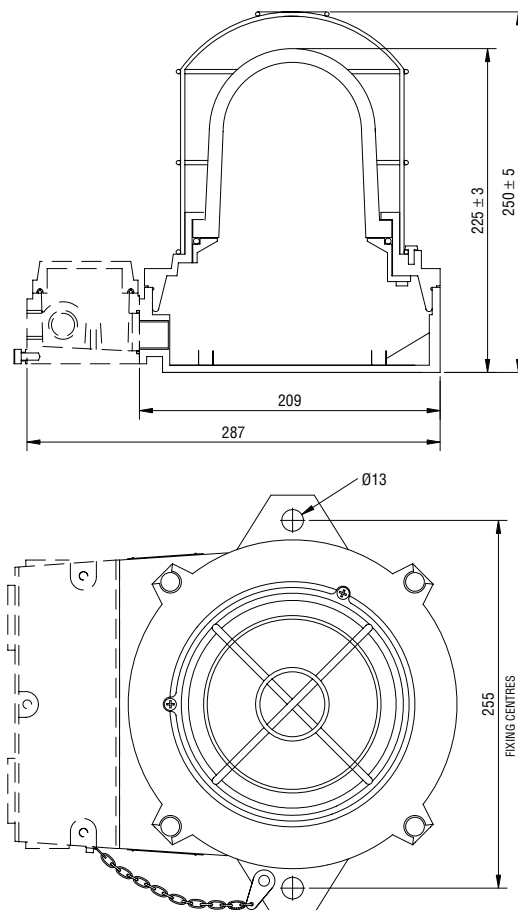
tel: UK +44-(0)1625-666600 • USA +1-877-289-3246
www.fs-isys.com



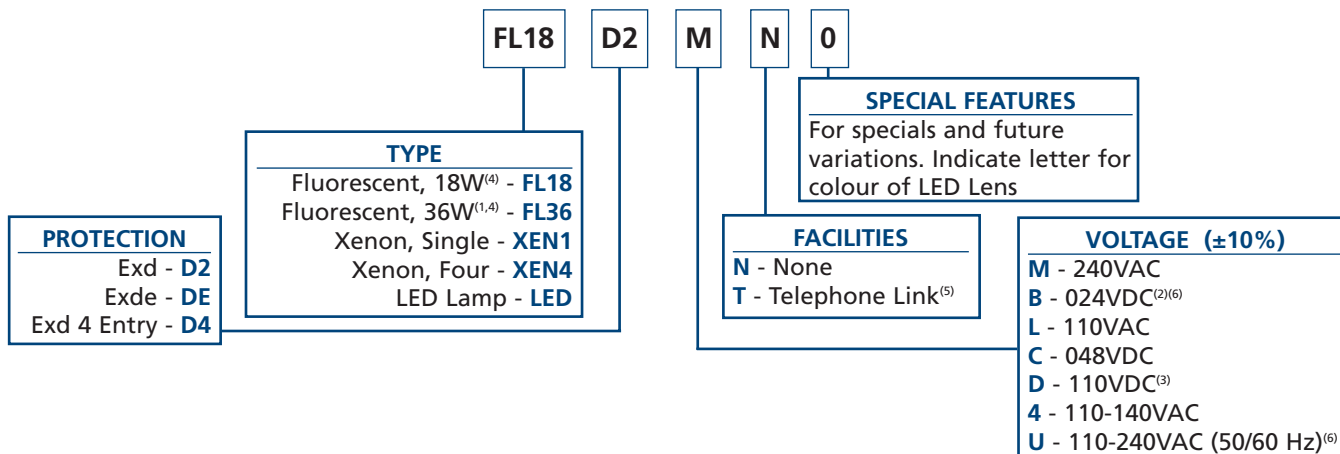
FEDERAL SIGNAL
Safety and Security Systems / Industrial
Advancing security and well being

SPECIFICATIONS

Terminals:	
Ex d:	4 way block mounted PCB
Ex de:	12 way block in terminal chamber
	<i>Both models have 2 external and 2 internal earth connections.</i>
Cable entries:	
Ex d:	4 entries - M20 x 1.5
Ex de:	4 entries - M20 x 1.5
Operating Temperature (LED):	
Ex d and Ex de:	-40°C to +55°C (T6)
Operating Temperature (Strobe & Fluorescent):	
Ex d and Ex de:	-40°C to +70°C (T4)
Mounting:	Via fixed cast lugs at two mounting points
Body:	Marine Grade Alloy painted Regal Red Sherwin Williams #: PRS8-C00008
Exterior dome:	Toughened glass
Guard:	316 Stainless steel
External fasteners:	316 Stainless steel
Net Weight:	
Ex d:	6kg (13.23 lbs)
Ex de:	7kg (15.43 lbs)
Shipping Dimensions:	32 x 31 x 28cm
Shipping Weight:	7.5kg (16.5 lbs)
ATEX Certificate Number:	Baseefa 07ATEX0150
IECEX Certificate Number:	IECEX BAS 07.0038
Certification Marking (LED):	Ex d IIB T6 Ex tD A21 Ex de IIB T6 Ex tD A21
Certification Marking (Strobe & Fluorescent):	Ex d IIB T4 Ex tD A21 Ex de IIB T4 Ex tD A21
Ingress Protection:	IP66



ORDERING CHART



TYPE \ COLOUR	RED	YELLOW	BLUE	GREEN	CLEAR	AMBER
FLUORESCENT LAMPS	A2158R	A2158Y	A2158B	A2158G	A2158	A2158A
XENON LENS	A1779S	A3410S	A1111S	A1198S	A2133S	A1131S

NOTES:

- (1) Only the 240VAC voltage is available with FL36 beacon
- (2) Range 22VDC to 32VDC with FL18 beacon
- (3) Range 100VDC to 135VDC with xenon beacons (inclusive of ±10%). FL18 is 100VDC to 150VDC inclusive of ±10%.
- (4) 2 pcs. required for FL18, 4 pcs. required for FL36
- (5) Applicable to Xenon AND LED beacons only
- (6) LED beacon available in 24VDC and 110-240VAC only

UK - Federal Signal Corporation, Integrated Systems
 Hulley Road, Macclesfield, Cheshire SK10 2NF, UK
tel: +44 (0)1625 66 66 00 **fax:** +44 (0) 1625 611 352
web: www.fs-isys.com **email:** systems@fedsig.co.uk

USA - Federal Signal Corporation, Integrated Systems
 2645 Federal Signal Drive, University Park, IL 60466, USA
tel: +1 708-534-4723 **fax:** +1 708-534-4887
web: www.fs-isys.com **email:** systems@fedsig.com